

### ⚡ Specifications

#### Nominal Voltage(V)

12V

#### Nominal Power

15 mins rate: 550W/cell to 1.60V/cell

#### Nominal Capacity

10 hour rate	(15.5A to 10.50V)	155Ah
5 hour rate	(26.35A to 10.20V)	131.75Ah
1 hour rate	(93A to 9.60V)	93Ah
1C	(155A to 9.60V)	93Ah

#### Weight

Approx. 49.8kg(110Lbs.)

#### Internal Resistance (at 1KHz)

Approx. 2.9 mΩ

#### Maximum Discharge Current for

5 seconds: 1550A

#### Charging Methods at 25°C(77°F)

Maximum Charging Current : 46.5A

Standby use:

Float Charging Voltage 13.5 to 13.8V

Coefficient -3.0mV/°C/cell

#### Operating Temperature Range

Charge	-15°C(5°F) to 40°C(104°F)
Discharge	-15°C(5°F) to 50°C(122°F)
Storage	-15°C(5°F) to 40°C(104°F)

#### Charge Retention (shelf life) at 20°C(68°F)

1 month	98%
3 month	94%
6 month	85%

#### Case Material

ABS UL94 HB

Option: Flammability resistance of (UL94 V-0)

#### Design Life & Standard

Expected Trickle Design Life: 10-12 years at 20°C according to Eurobat.

#### Terminal

F18



### ⚡ Dimensions

#### Length (L)

483±3 (19.02±0.12)

#### Width (W)

170±3 (6.69±0.12)

#### Height (H)

240±3 (9.45±0.12)

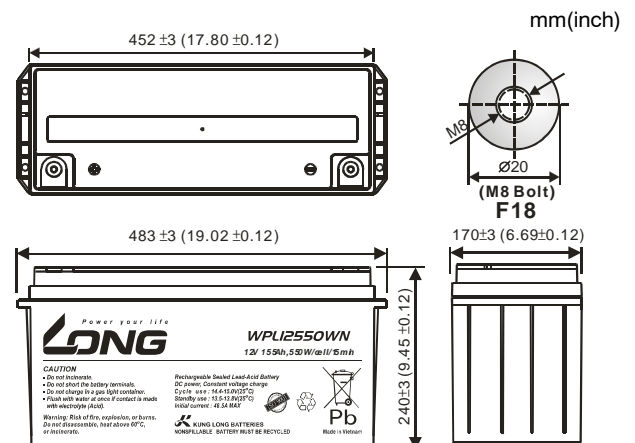
#### Overall Height (HT)

240±3 (9.45±0.12)

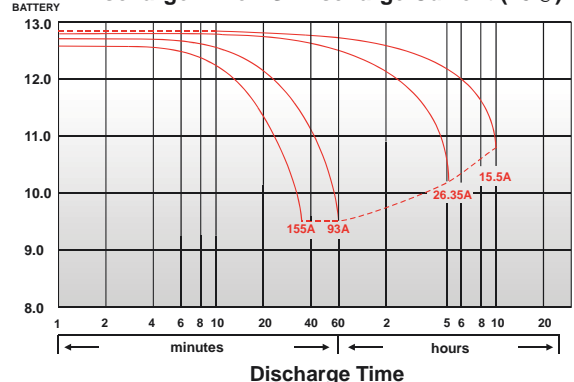
#### Description of torque value of hard ware for the terminals:

Recommended torque value M8:12 N·m (122kgf·cm)

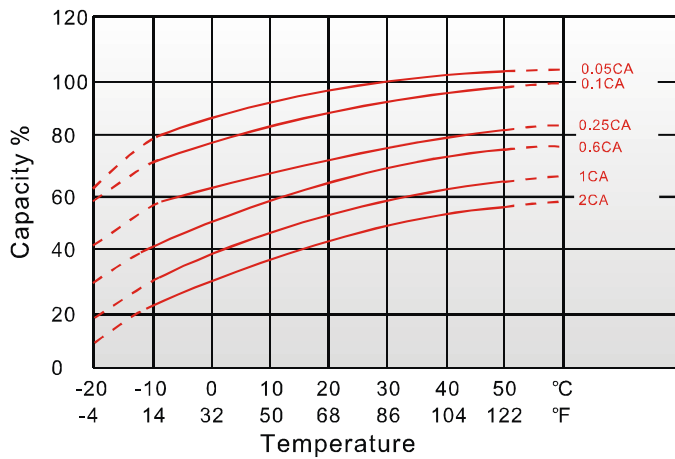
Maximum allowable torque value M8:20 N·m (204kgf·cm)



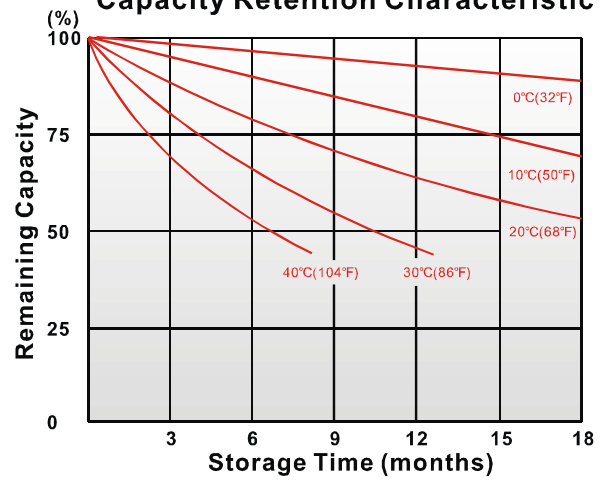
(V) FOR 12V BATTERY Discharge Time VS. Discharge Current (25°C)



Effect of Temperature on Capacity 25°C(77°F)



Capacity Retention Characteristic



Trickle (or float) Service Life

